



Model: PRIPORT N850		Date: 15-Sep-97	No: 1
Modified Article: Thermal Head		Prepared by: 	
From: Priport Service Planning Section		H. Kokubo	
Classification: <input type="checkbox"/> Parts catalog correction <input checked="" type="checkbox"/> Vendor change <input type="checkbox"/> To meet standards <input type="checkbox"/> To facilitate assembly <input type="checkbox"/> To improve reliability () <input type="checkbox"/> Part standardization <input type="checkbox"/> Other ()			
Model Name: Ricoh VT2200, Gestetner 5327, RexRotary 1252, Nashuatec CP327, ABDICK 6530, SVN 3200DNP			

Due to a vendor change, the thermal head has been changed as follows:

Old #	New #	Description	Int	Page	Index
C224 8031	C222 8038	Thermal Head - B4	O/O	51	1

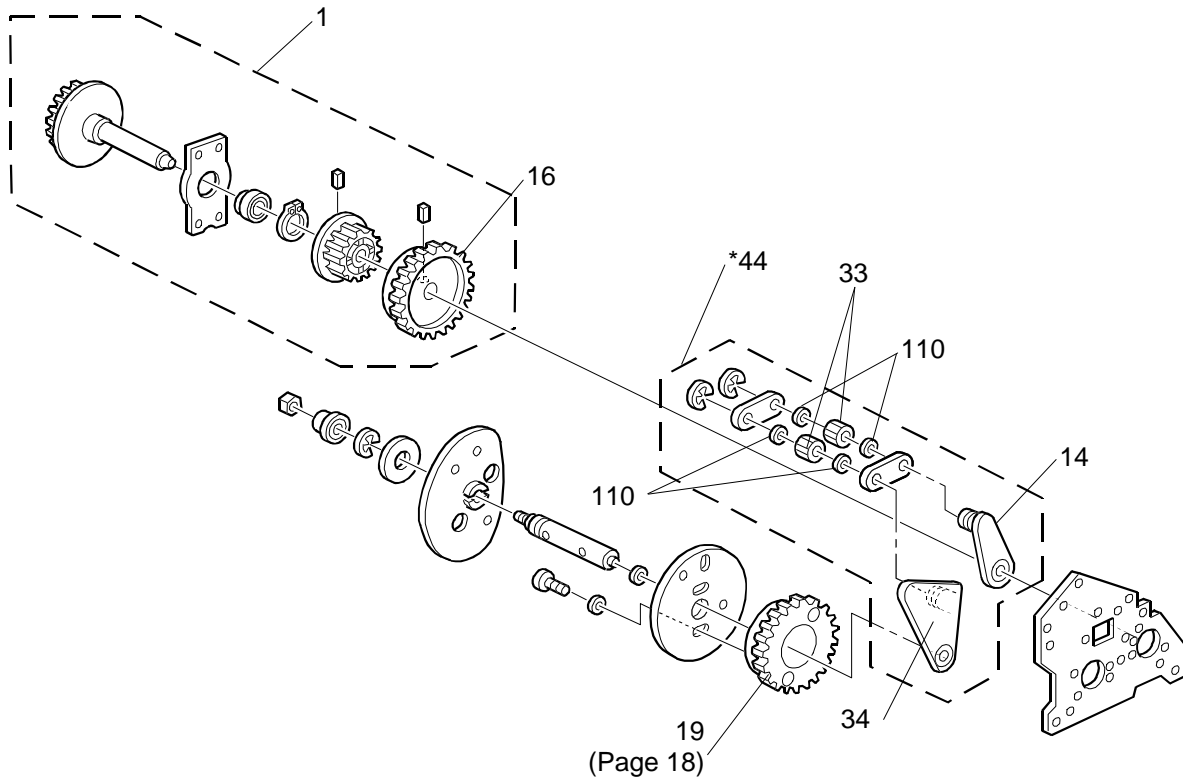
NOTE: The thermal head type #C2228038 has commonly been used for the RN925. Therefore, due to this modification, the thermal head for the RN925, Gold, and N850 has been unified into the #C2228038 type only.

Model: PRIPORT N850		Date: 31-Dec-97	No: 2
Modified Article: Drum Drive Gear Assy, etc.		Prepared by: 	
From: Priport Service Planning Section		H. Kokubo	
Classification: <input type="checkbox"/> Parts catalog correction <input type="checkbox"/> Vendor change <input type="checkbox"/> To meet standards <input type="checkbox"/> To facilitate assembly <input type="checkbox"/> To improve reliability () <input checked="" type="checkbox"/> Part standardization <input type="checkbox"/> Other ()			
Model Name:			
Ricoh VT2200, Gestetner 5327, RexRotary 1252, nashuatec CP327, ABDICK 6530, SVN 3200DNP			

Due to part standardization with the C226, the following parts have been changed.


Old #	New #	Description	Qty	Int	Page	Index	Note
C213 2218	C226 2330	Stud & Gear - 30T	1→0				
		Drum Drive Gear Assy	0→1	X/O	7	1	
C223 2217	C201 2217	Gear Shaft	1→0				
		Gear - 50T	0→1	X/O	7	16	
C200 2308	C223 2311	Image Shifting Arm - Small	1→1	X/X	7	14	x/o as a set
C219 2226	C223 2226	Gear - 22Z	2→2	X/X	7	33	
C224 2302	C223 2302	Image Shifting Arm - Large	1→1	X/X	7	34	
	0807 7013	Spacer - 10.2x14x0.2 mm	n→n+4	X/X	7	110	
	C223 2225	Image Shifting Arm Assy	0→1		7	*44	*: New Index See Drawing
C223 2229	C201 2229	Feed Cam Gear	1→0				
		Gear - 50T	0→1	X/O	19	19	
C207 5231	C209 5200	Gear - 2nd Feed Roller	1→0				
		Gear - 14Z	0→1	X/X	21	12	x/o as a set
C224 5230	C219 5005	Lower Feed Roller	1→1	X/X	21	18	

Drawing on Page 6



Model: PRIPORT N850	Date: 31-Dec-97	No: 2
----------------------------	------------------------	--------------

Model Name	V/Hz	Destination	Code	Serial Number
Ges 5327, Rex 1252, Nsa CP327	120/60	USA, Canada	C224-12	No production
Ges 5327, Rex 1252, Nsa CP327	120/60	Taiwan	C224-13	No production
Savin 3200DNP	120/60	USA, Canada	C224-15	No production
Ricoh VT2200	120/60	USA, Canada	C224-17	No production
ABDICK 6530	120/60	USA	C224-18	No production
Ricoh VT2200	120/60	Taiwan	C224-19	No production
Ges 5327, Rex 1252, Nsa CP327	230/50	Europe, etc.	C224-22	No production
Ricoh VT2200	230/50	Europe	C224-27	No production
Ricoh VT2200	230/50	Asia, etc.	C224-29	No production
Ges 5327, Rex 1252, Nsa CP327	230/50	USA, Canada	C224-62	59577070001
Ges 5327, Rex 1252, Nsa CP327	120/60	Taiwan	C224-63	59767070001
Savin 3200DNP	120/60	USA, Canada	C224-65	S3457070001
Ricoh VT2200	120/60	USA, Canada	C224-67	C3457060411
ABDICK 6530	120/60	USA	C224-68	No production
Ricoh VT2200	120/60	Taiwan	C224-69	C3457070001
Ges 5327, Rex 1252, Nsa CP327	230/50	Europe, etc.	C224-72	59567060758
Ricoh VT2200	230/50	Europe	C224-77	C3457070001
Ricoh VT2200	230/50	Asia, etc.	C224-79	C3457070001

Model: PRIPORT N850		Date: 31-Mar-98	No: 3
Modified Article: Parts Catalog		Prepared by: 	
From: Priport Service Planning Section		H. Kokubo	
Classification:	<input checked="" type="checkbox"/> Parts catalog correction	<input type="checkbox"/> Vendor change	<input type="checkbox"/> To meet standards
	<input type="checkbox"/> To facilitate assembly	<input type="checkbox"/> To improve reliability	()
	<input type="checkbox"/> Part standardization	<input type="checkbox"/> Other ()	
Model Name: Ricoh VT2200, Gestetner 5327, RexRotary 1252, nashuatec CP327, ABDICK 6530, SVN 3200DNP			

Correct your parts catalog as follows:

Page 3

Change Description and Part Number

Idx		Part No.	Description	Q'ty	Figure No.
7	Incorrect	C224 2720	Operation Panel Ass'y - LT	1 - 0	Fig. No. 1
	Incorrect	C224 2725	Operation Panel Ass'y - A4	1 - 0	
	Correct	C224 2440	Operation Panel Cover	0 - 1	

Page 5

Change Part Number

Idx		Part No.	Description	Q'ty	Figure No.
5	Incorrect	C224 2117	Right Grip - Paper Feed	-	-
	Correct	C226 2117	As above	-	-
8	Incorrect	C203 2120	Right Grip - Paper Feed	-	-
	Correct	C203 2107	As above	-	-
27	Incorrect	C215 4505	Drum Stopper Ass'y	-	-
	Correct	C219 4505	As above	-	-
40	Incorrect	C215 4506	Stopper Base	-	-
	Correct	C219 4506	As above	-	-
46	Incorrect	C203 4512	Grounding Spring Plate	-	-
	Correct	C224 4512	As above	-	-
51	Incorrect	C224 3019	Grounding Plate	-	-
	Correct	C224 2019	As Above	-	-

Model: PRIPORT N850**Date:** 31-Mar-98**No: 3****Page 7**

Change Part Number

Idx		Part No.	Description	Q'ty	Figure No.
6	Incorrect	C209 8234	Drum Lock Solenoid	-	-
	Correct	C224 8450	As above	-	-

Page 11

Change Description and Part Number

Idx		Part No.	Description	Q'ty	Figure No.
6	Incorrect	5506 1535	Right Side Pad	-	-
	Correct	C209 5092	Rubber Plate Lever	-	-
28	Incorrect	C224 5094	Shielding Sheet	-	-
	Correct	C224 5074	Actuator - Table Lower Limit Switch	-	-

Page 16

Correct the whole illustration on page 16 as shown in Figure 2.

Page 41

Change Part Number

Idx		Part No.	Description	Q'ty	Figure No.
3	Incorrect	C217 4593	Front Bank Plate	-	Fig. No. 3
	Correct	C217 4592	As above	-	
14	Incorrect	C217 4595	Rear Bank Plate	-	
	Correct	C217 4594	As above	-	

Change Quantity

Idx		Part No.	Description	Q'ty	Figure No.
21	-	C217 4596	Sponge - Front Bank Plate	2 - 1	Fig. No. 3

Model: PRIPORT N850	Date: 31-Mar-98	No: 3
----------------------------	------------------------	--------------

Page 41

Add to List

Idx		Part No.	Description	Q'ty	Figure No.
23	-	C217 4597	Sponge - Rear Bank Plate	0 - 1	Fig. No. 3 * New Index

Page 43

Add to List

Idx		Part No.	Description	Q'ty	Figure No.
*	-	C224 3220	ADF Unit - LT	0 - 1	-
*	-	C224 3225	ADF Unit - A4	0 - 1	-
*	-	C224 3235	ADF Unit - China	0 - 1	-

Change Description and Part Number

Idx		Part No.	Description	Q'ty	Figure No.
18	Incorrect	C224 8090	Original Pressure Roller	1 - 0	-
	Correct	C224 3070	ADF Solenoid	0 - 1	-

Page 47

Change Description and Part Number

Idx		Part No.	Description	Q'ty	Figure No.
2	Incorrect	C224 3024	Original Table	1 - 0	-
	Correct	C224 3250	Original Table Ass'y - LT	0 - 1	-
	Correct	C224 3255	Original Table Ass'y - A4	0 - 1	-
32	Incorrect	C203 3011	Dust Shielding	-	-
	Correct	C224 3021	As above	-	-

Model: PRIPORT N850**Date:** 31-Mar-98**No:** 3**Page 51**

Change Part Number

Idx		Part No.	Description	Q'ty	Figure No.
22	Incorrect	C224 4016	Master Roller Catcher	-	-
	Correct	C219 4022	As above	-	-

Page 55

Add to List

Idx		Part No.	Description	Q'ty	Figure No.
21	-	C224 4057	Tension Roller Guide Seal	0 - 2	Fig. No. 4 * New Index

Page 62

Correct the description in the illustration on page 62 as shown in Figure 5.

Page 63

Change Description and Part Number

Idx		Part No.	Description	Q'ty	Figure No.
9	Incorrect	C224 8007	IC - IPU	1 - 0	-
	Correct	C224 8047	ROM IC108 - HN27256P	0 - 1	-
10	Incorrect	C224 8008	IC - THD	1 - 0	-
	Correct	C224 8075	ROM IC134 - M27C512-15F1	0 - 1	-
44	Incorrect	C224 2440	Operation Panel Cover	1 - 0	Fig. No. 1
	Correct	C224 2720	Operation Panel Ass'y - LT	0 - 1	
	Correct	C224 2725	Operation Panel Ass'y - A4	0 - 1	
109	Incorrect	1204 2267	Micro Switch - V-162-3c25	-	-
	Correct	1204 2376	As above	-	-

Model: PRIPORT N850	Date: 31-Mar-98	No: 3
----------------------------	------------------------	--------------

Page 65

Change Description and Part Number

Idx		Part No.	Description	Q'ty	Figure No.
8	Incorrect	C218 2071	Safety Switch Stopper - LT	-	-
	Correct	As above	Safety Switch Stopper	-	-
20	Incorrect	AA14 3005	Stepped Screw - M4 x 2.5	1 - 0	-
	Correct	C218 2185	Stepped Screw	0 - 1	-
22	Incorrect	C218 2173	Support Plate - Safety Switch - LT	-	-
	Correct	As above	Support Plate - Safety Switch	-	-
43	Incorrect	AW02 0041	Photointerruptor	2 - 0	Fig. No. 6
	Correct	AW02 0021	Photointerruptor - 175487-3	0 - 2	
47	Incorrect	C224 8110	AC Drive Harness	-	-
	Correct	C224 8120	As above	-	-
104	Incorrect	0314 0140Z	Philips Screw - 4 x 14	-	-
	Correct	0313 0140Z	Philips Screw - M3 x 14	-	-
125	Incorrect	1204 2267	Micro Switch - V-162-3C25	-	-
	Correct	1204 2376	As above	-	-

Add to List

Idx		Part No.	Description	Q'ty	Figure No.
51	-	C201 5125	Shoulder Screw - M4	0 - 1	Fig. No. 7 * New Index
52	-	C218 2172	Safety Switch Lever	0 - 1	Fig. No. 7 * New Index
53	-	C219 2306	Drum Sensor Bracket	0 - 2	Fig. No. 6 * New Index

Model: PRIPORT N850	Date: 31-Mar-98	No: 3
----------------------------	------------------------	--------------

Page 73

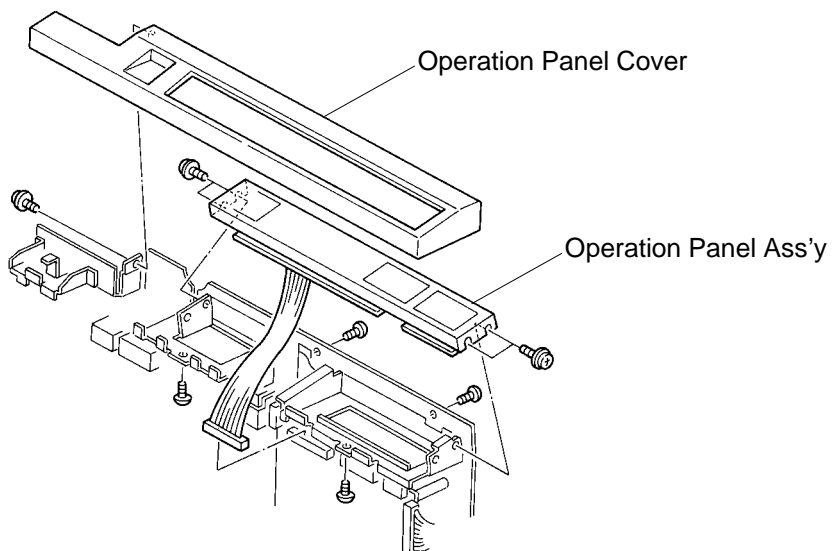
Change Part Number

Idx		Part No.	Description	Q'ty	Figure No.
1	Incorrect	C213 4041	Master Flange	-	-
	Correct	C213 4042	As above	-	-
4	Incorrect	C203 3075	Original Exit Tray	-	-
	Correct	C224 3077	As above	-	-

Delete from List

Idx		Part No.	Description	Q'ty	Figure No.
5	-	C201 3023	Right Bracket - Original Tray	1 - 0	-
6	-	C201 3020	Right Bracket - Original Tray	1 - 0	-

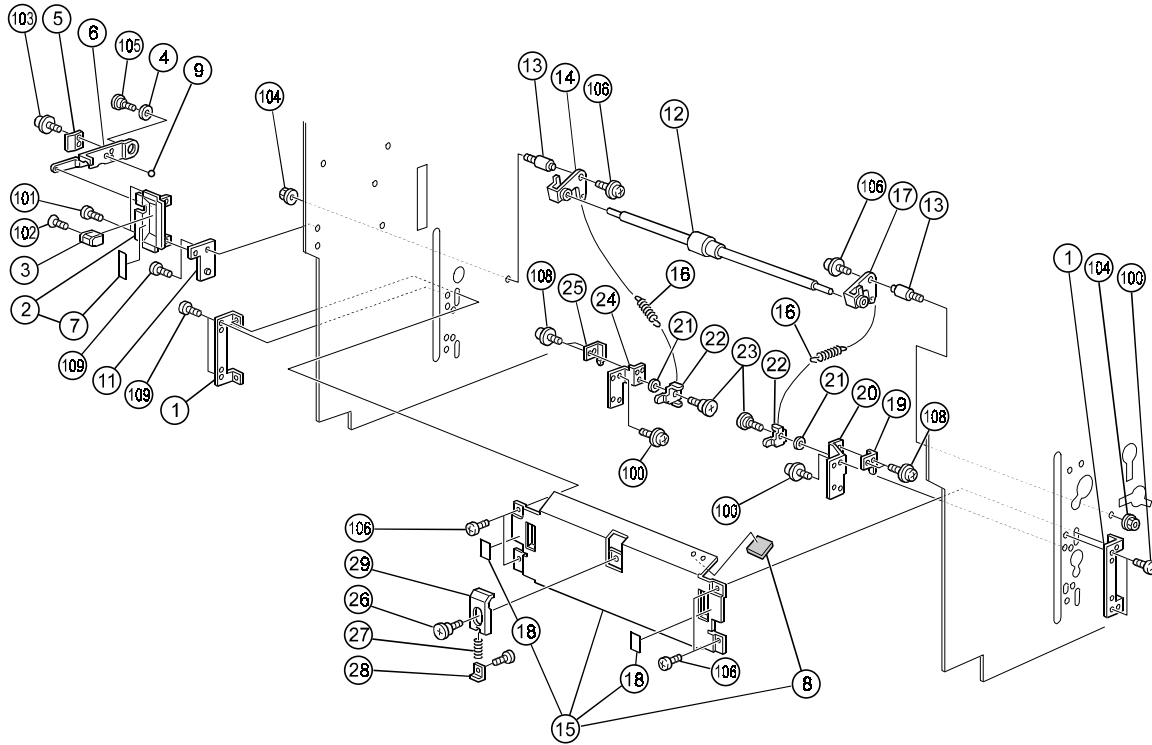
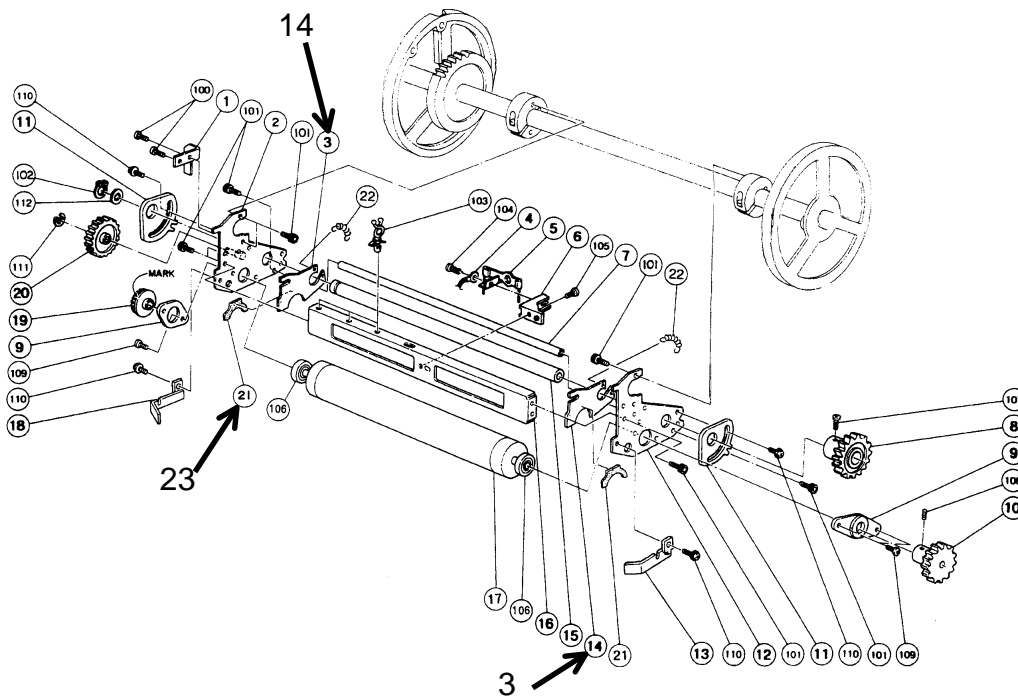
Fig. 1 (Page 2 and 62)

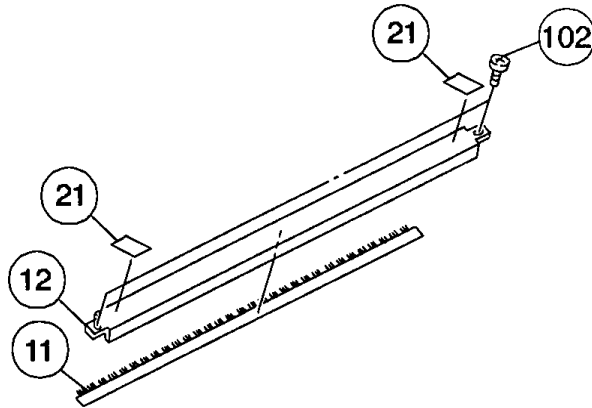


Model: PRIPORT N850

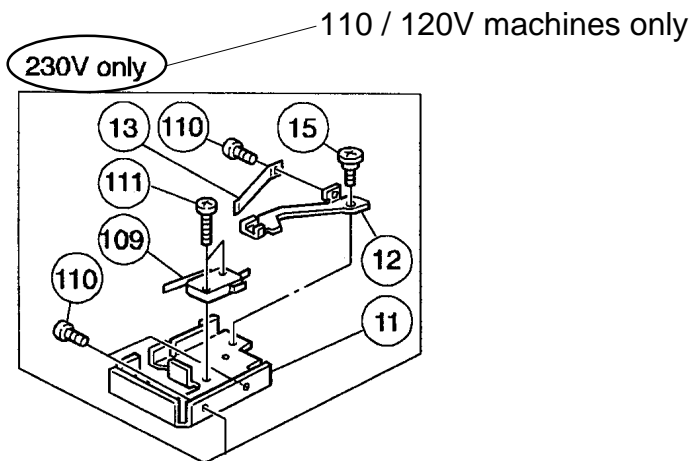
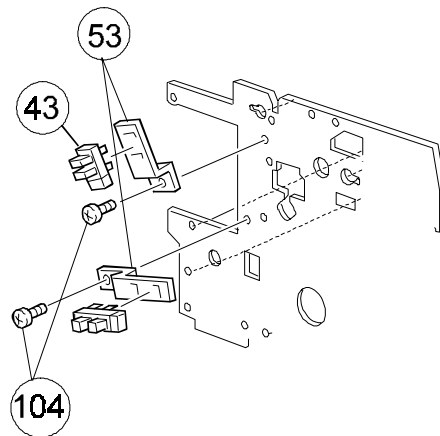
Date: 31-Mar-98

No: 3

Fig. 2 (Page 16)**Fig. 3 (Page 40)**

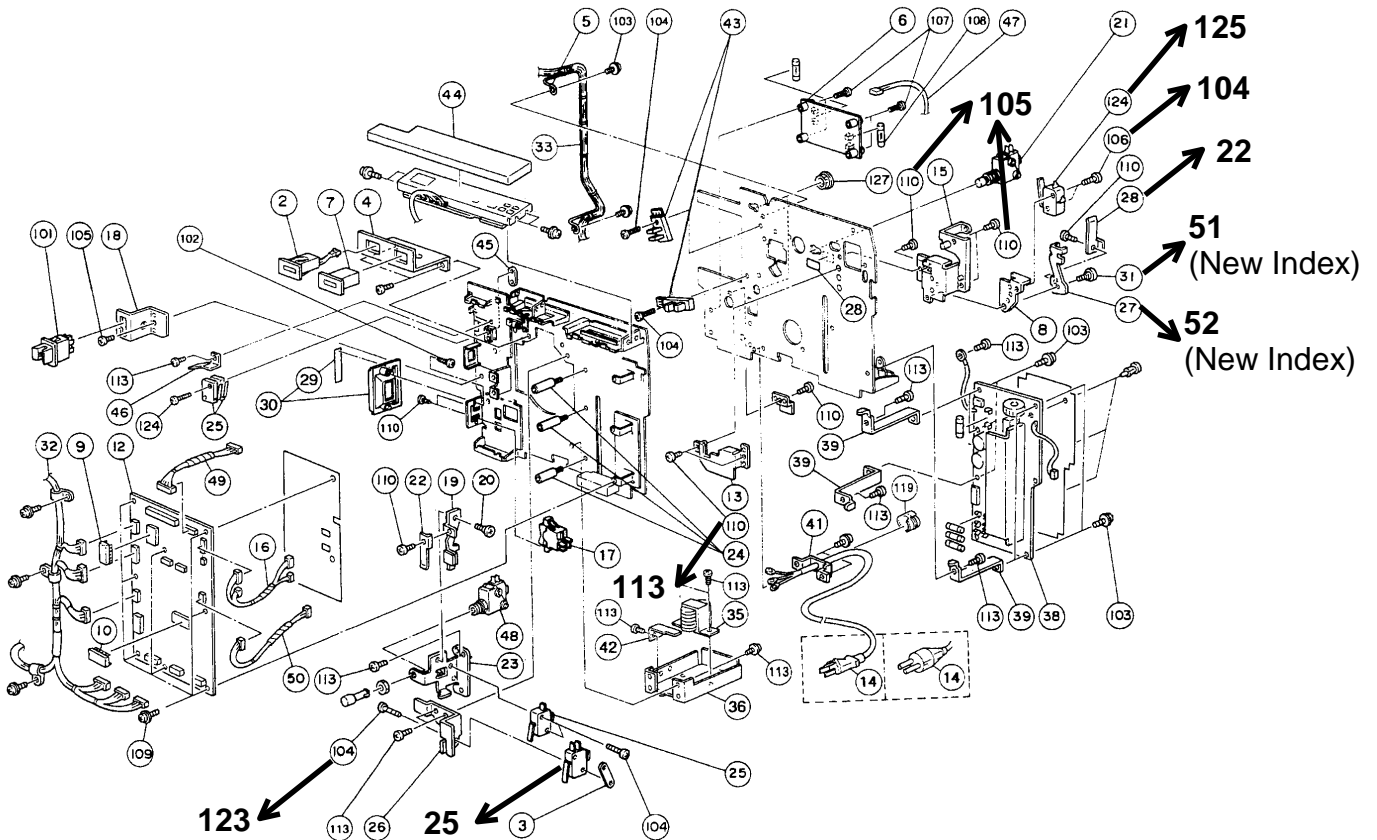
Model: PRIPORT N850**Date:** 31-Mar-98**No:** 3**Fig. 4** (Page 54)**Fig. 5** (Page 62)


Correct the description on page 62 as shown.

**Fig. 6** (Page 64)

Model: PRIPORT N850**Date:** 31-Mar-98**No:** 3**Fig. 7 (Page 64)**

Correct the index numbers on page 64 as shown.



Model: PRIPORT N850		Date: 31-Mar-98	No: 4
Modified Article: Parts Catalog		Prepared by: 	
From: Priport Service Planning Section		H. Kokubo	
Classification:	<input checked="" type="checkbox"/> Parts catalog correction	<input type="checkbox"/> Vendor change	<input type="checkbox"/> To meet standards
	<input type="checkbox"/> To facilitate assembly	<input type="checkbox"/> To improve reliability	()
	<input type="checkbox"/> Part standardization	<input type="checkbox"/> Other ()	
Model Name:			
Ricoh VT2200, Gestetner 5327, RexRotary 1252, nashuatec CP327, ABDICK 6530, SVN 3200DNP			

Add the following lists to your parts catalog for the component parts of the main control board and AC drive board.

1. MAIN CONTROL BOARD

Part Number of Assembled MPU Board	C224 8042
------------------------------------	-----------

CAPACITOR

SYMBOL NO.	PART NO.
C101	16042089
C102	16405101
C103	16405101
C104	16405101
C105	16405101
C106	16405101
C107	16405101
C108	16603471
C109	16603471
C110	16061985

SYMBOL NO.	PART NO.
C111	16061985
C112	16061985
C113	16061986
C114	16061984
C115	16061984
C116	16061986
C117	16605103
C118	16603102
C119	16603102
C120	16061983

SYMBOL NO.	PART NO.
C121	16605103
C122	16605103
C123	16603102
C124	16062028
C125	16605103
C126	16405100
C127	16405100
C128	16603331
C129	16603331
C130	16605103

Model: PRIPORT N850**Date:** 31-Mar-98**No: 4****CAPACITOR**

SYMBOL NO.	PART NO.
C131	16605103
C132	16605103
C133	16605103
C134	16605103
C135	16605103
C136	16605103
C137	16605103
C138	16605103
C139	16605103
C140	16605103

SYMBOL NO.	PART NO.
C141	16605103
C142	16605103
C143	16605103
C144	16605103
C145	16605103
C146	16605103
C147	16605103
C148	16605103
C149	16605222
C150	16605222

SYMBOL NO.	PART NO.
C151	16605103
C152	16605103
C153	16605103
C154	16605103
C155	16605103
C156	16605103
C157	16603471
C158	16603270
C159	16603270
C160	16605103

SYMBOL NO.	PART NO.
C161	16605103
C162	16605103
C163	16605103
C164	16605103
C165	16603471
C166	16605103
C167	16605103
C168	16605103
C169	16605103
C170	16605103

SYMBOL NO.	PART NO.
C171	16605103
C172	16605103
C173	16603102
C174	16605103
C175	16605103
C176	16603471
C177	16605103
C178	16605103
C179	16605103
C180	16605103

SYMBOL NO.	PART NO.
C181	16605103
C182	16605103
C183	16605103
C184	16605103
C185	16605103
C186	16605103
C187	16605103
C188	16605103
C189	16605103
C190	16605103

SYMBOL NO.	PART NO.
C191	16605103
C192	16605103
C193	16603102
C194	16603102
C195	16603102
C196	16603102

Model: PRIPORT N850**Date:** 31-Mar-98**No: 4****DIODE**

SYMBOL NO.	PART NO.
D101	14010835
D102	14010835
D103	14010835
D104	14010835
D105	14021263
D106	14021263
D107	14010835
D108	14010835
D109	14021263
D110	14021263

SYMBOL NO.	PART NO.
D111	14021263
D112	14021263
D113	14021263

DPS

SYMBOL NO.	PART NO.
DPS101	12041015
DPS102	12041541
DPS103	12041543
DPS104	12041543

FIB

SYMBOL NO.	PART NO.
FIB101	16070477
FIB102	16070477
FIB103	16070477
FIB104	16070477
FIB105	16070477
FIB106	16070477
FIB107	16070477
FIB108	16070477
FIB109	16070477
FIB110	16070477

SYMBOL NO.	PART NO.
FIB111	16070477
FIB112	16070477
FIB113	16070477
FIB114	16070477
FIB115	16070477
FIB116	16070477
FIB117	16070477
FIB118	16070477
FIB119	16070477
FIB120	16070477

SYMBOL NO.	PART NO.
FIB121	16070477
FIB122	16070477
FIB123	16070477
FIB124	16070477
FIB125	16070477
FIB126	16070477
FIB127	16070477
FIB128	16070477
FIB129	16070477
FIB130	16070477

Model: PRIPORT N850**Date:** 31-Mar-98**No: 4****IC**

SYMBOL NO.	PART NO.
IC101	14071880
IC102	14071598
IC103	14071600
IC104	14071600
IC105	14071600
IC106	14074528
IC107	14071600
IC108	C2248047
IC109	C2248007
IC110	14071600

SYMBOL NO.	PART NO.
IC111	C2248008
IC112	14071600
IC113	14073894
IC114	14073894
IC115	14073894
IC116	14073708
IC117	14072825
IC118	14010398
IC119	14010398
IC120	14010877

SYMBOL NO.	PART NO.
IC121	14080790
IC122	14071600
IC123	14074462
IC124	14071882
IC125	14073627
IC126	14080611
IC127	14073701
IC128	14080606
IC129	14080606
IC130	14072218

SYMBOL NO.	PART NO.
IC131	14072081
IC132	14071813
IC133	14072077
IC134	C2248075
IC135	14072058
IC136	14071600
IC137	14072348
IC138	14074565
IC139	14072187
IC140	14072218

SYMBOL NO.	PART NO.
IC141	14081104
IC142	14071600
IC143	14080454
IC144	14071535
IC145	14072273
IC146	14072273
IC147	14010400
IC148	14071535
IC149	14080604
IC150	14010876

SYMBOL NO.	PART NO.
IC151	14010400
IC152	14072273
IC153	14081190

IC SOCKET

SYMBOL NO.	PART NO.
IC108	11040588
IC134	11040588

IC HEAT SINK

SYMBOL NO.	PART NO.
IC153	C2248049

HEAT SINK SCREW

SYMBOL NO.	PART NO.
IC153	09573006B

Model: PRIPORT N850

Date: 31-Mar-98

No: 4

L

SYMBOL NO.	PART NO.
L101	16070001

LED

SYMBOL NO.	PART NO.
LED101	14030669
LED102	14030669
LED103	14030669
LED104	14030669
LED105	14030669

OSC

SYMBOL NO.	PART NO.
OSC101	15030678
OSC102	15030071

Q

SYMBOL NO.	PART NO.
Q101	14000431

RAY

SYMBOL NO.	PART NO.
RAY101	16017422
RAY102	16017422
RAY103	16017396
RAY104	16017396
RAY105	16017377
RAY106	16017404
RAY107	16017404
RAY108	16017377
RAY109	16017374
RAY110	16017374

SYMBOL NO.	PART NO.
RAY111	16017374
RAY112	16017374
RAY113	16017374
RAY114	16017374
RAY115	16017374
RAY116	16017374
RAY117	16017374
RAY118	16017374
RAY119	16017374

RESISTOR

SYMBOL NO.	PART NO.
R101	16114470
R102	16302101
R103	16302101
R104	16303332
R105	16303683
R106	16303332
R107	16303683
R108	16303472
R109	16303683
R110	16303332

SYMBOL NO.	PART NO.
R111	16303332
R112	16302221
R113	16302221
R114	16302221
R115	16302221
R116	16302221
R117	16302221
R118	16015282
R119	16015282
R120	16015282

SYMBOL NO.	PART NO.
R121	16015282
R122	16015282
R123	16015282
R124	16015282
R125	16015282
R126	16303102
R127	16001214
R128	16001214
R129	16303510
R130	16303511

Model: PRIPORT N850

Date: 31-Mar-98

No: 4

RESISTOR

SYMBOL NO.	PART NO.
R131	16303473
R132	16303473
R133	16303472
R134	16303472
R135	16303102
R136	16303203
R137	16303393
R138	16303472
R139	16303511
R140	16303391

SYMBOL NO.	PART NO.
R141	16303102
R142	16303124
R143	16303242
R144	16303302
R145	16116361
R146	16303203
R147	16303103
R148	16303103
R149	16303514
R152	16303472

SYMBOL NO.	PART NO.
R153	16303103
R154	16303102
R155	16303472
R156	16303472
R157	16303472
R158	16303472
R159	16303303
R160	16303472
R161	16303472
R162	16303472

SYMBOL NO.	PART NO.
R163	16303472
R164	16303102
R165	16303472
R166	16303472
R167	16303102
R168	16303102
R169	16303103
R170	16303102
R171	16303102
R172	16303102

SYMBOL NO.	PART NO.
R173	16303102
R174	16303102
R175	16303102
R176	16303242
R177	16303242
R178	16303103
R179	16303332
R180	16303332
R181	16303332
R182	16303151

SYMBOL NO.	PART NO.
R183	16303824
R184	16303151
R185	16303824
R186	16303151
R187	16303824
R188	16303332
R189	16303471
R190	16303102
R191	16303472
R192	16303472

SYMBOL NO.	PART NO.
R193	16303472
R194	16303472
R195	16303222
R196	16333901
R197	16339101
R198	16303102
R199	16303102
R200	16303472
R201	16337501
R202	16303513

SYMBOL NO.	PART NO.
R203	16303243
R204	16334991
R205	16334121
R206	16333601
R207	16336041
R208	16303223
R209	16303223
R210	16303223
R211	16303332
R212	16303242

SYMBOL NO.	PART NO.
R213	16303472
R214	16303472
R215	16303472
R216	16303472
R217	16303472
R218	16303102
R219	16303102
R220	16303103
R221	16303103
R222	16303103

Model: PRIPORT N850**Date:** 31-Mar-98**No: 4****RESISTOR**

SYMBOL NO.	PART NO.
R223	16303103
R224	16303103
R225	16303472
R226	16303562
R227	16303222
R228	16303222
R229	16303222
R230	16303222
R232	16303102
R233	16303102

SYMBOL NO.	PART NO.
R234	16303102
R235	16303102
R236	16303472
R237	16303472
R238	16303102
R239	16303102
R240	16303102
R241	16303102
R242	16303103
R243	16303513

SYMBOL NO.	PART NO.
R244	16303103
R245	16303513
R246	16303103
R247	16303513
R248	16303473
R249	16303244
R250	16303103
R257	16303302
R258	16303154
R259	16303823

SYMBOL NO.	PART NO.
R260	16303133

TP

SYMBOL NO.	PART NO.
TP101	11010328
TP102	11010328
TP103	11010328
TP104	11010328
TP105	11010328
TP106	11010328
TP107	11010328

VR

SYMBOL NO.	PART NO.
VR101	16018145
VR102	16018157
VR103	16018157
VR104	16018186

Model: PRIPORT N850	Date: 31-Mar-98	No: 4
----------------------------	------------------------	--------------

2. AC DRIVE BOARD

Part Number of Assembled AC Drive Board	C224 8058 (AC Drive Board - 115V)
	C224 8063 (AC Drive Board - 220V)

CAPACITOR

SYMBOL NO.	PART NO.
C600	16041382
C601	16041354
C602	16041385
C603	16041385
C604	16041382
C605	16405330
C606	16041382
C607	16405330
C609	16401221
C610	16061352

SYMBOL NO.	PART NO.
C611	16041382
C612	16041382
C613	16041382
C614	16041855
C615	16041382
C616	16041382
C617	16041382
C618	16041382
C619	16041386
C620	16061139

SYMBOL NO.	PART NO.
C621	16061139
C622	16061139
C623	16061139
C624	16061139
C625	16061139
C626	16061139
C627	16061139
C628	16061139
C629	16061139
C630	16050491

SYMBOL NO.	PART NO.
C631	16050226
C632	16061139
C633	16061139
C634	16061139
C635	16061139
C636	16061139
C637	16061139
C638	16061139
C639	16061139
C640	16061450

SYMBOL NO.	PART NO.
C641	16061139
C642	16061139
C643	16061455
C644	16061139
C645	16061139
C646	16061455
C647	16050359
C648	16061139
C649	16061139
C650	16061139

SYMBOL NO.	PART NO.
C651	16061139
C652	16061139
C653	16061139
C654	16061139
C655	16061455
C656	16061455
C657	16050368
C658	16050245
C659	16061139
C660	16061453

Model: PRIPORT N850**Date:** 31-Mar-98**No: 4****CAPACITOR**

vSYMBOL NO.	PART NO.
C661	16061139
C662	16061139
C663	16061139
C664	16061139
C665	16061139
C666	16061139
C667	16061139
C668	16061139
C669	16061139

SYMBOL NO.	PART NO.
C671	16061139
C672	16061139
C673	16061139
C674	16061139
C675	16061139
C676	16061139
C677	16041984
C678	16061139
C679	16061453

CONNECTOR

SYMBOL NO.	PART NO.
CN601	11023479
CN602	11025629
CN603	11020903
CN604	11020845
CN605	11020907
CN606	11020905
CN607	11020913

DIODE

SYMBOL NO.	PART NO.
D600	14010835
D601	14010835
D602	14010835
D603	14010835
D604	14010835
D605	14010835
D606	14010835
D607	14010835

FUSE

SYMBOL NO.	PART NO.
FU600	11070713

FUSE HOLDER

SYMBOL NO.	PART NO.
FU600	11040564

Model: PRIPORT N850**Date:** 31-Mar-98**No: 4****IC**

SYMBOL NO.	PART NO.
IC600	14072417
IC601	14072417
IC602	14074192
IC603	14074193
IC604	14071880
IC605	14073348
IC606	14071849
IC607	14080915
IC608	14073350
IC609	14071610

SYMBOL NO.	PART NO.
IC610	14080322
IC611	14073350
IC612	14071880
IC613	14080526
IC614	14080685
IC615	14071224
IC616	14074194
IC617	14071723
IC618	14071723
IC619	14071224

SYMBOL NO.	PART NO.
IC620	14074381
IC621	14072348
IC622	14071723
IC623	14080526
IC624	14071935
IC625	14080685
IC626	14080562
IC627	14080565
IC628	14080562
IC629	14010977

SYMBOL NO.	PART NO.
IC600	14072417
IC601	14072417
IC630	14080995
IC631	14080408

Q

SYMBOL NO.	PART NO.
Q600	14000163
Q602	14000098
Q603	14000382
Q604	14010298
Q605	14000382
Q607	14010298
Q608	14010298

Model: PRIPORT N850	Date: 31-Mar-98	No: 4
----------------------------	------------------------	--------------

RESISTOR

SYMBOL NO.	PART NO.
R600	16302472
R601	16302472
R602	16302472
R603	16302472
R604	16302472
R605	16302472
R606	16302472
R607	16302472
R608	16302472
R609	16302472

SYMBOL NO.	PART NO.
R610	16302472
R611	16302472
R612	16302472
R613	16302472
R614	16302222
R615	16302102
R616	16302102
R617	16302102
R618	16302102
R619	16302102

SYMBOL NO.	PART NO.
R620	16302472
R621	16302472
R622	16302472
R623	16302472
R624	16302821
R625	16302473
R626	16302473
R627	16302103
R628	16302473
R629	16302331

SYMBOL NO.	PART NO.
R630	16302103
R631	16302102
R632	16302472
R633	16302472
R634	16302472
R635	16302472
R639	16302102
R640	16302102
R641	16302102
R642	16302220

SYMBOL NO.	PART NO.
R643	16302511
R646	16302393
R647	16302393
R648	16302154
R649	16302683
R650	16302822
R651	16302102
R652	16302221
R653	16302103
R654	16302511

SYMBOL NO.	PART NO.
R655	16302243
R656	16302273
R657	16302472
R658	16302472
R659	16302472
R660	16302333
R661	16302133
R662	16302152
R663	16302133
R664	16302333

SYMBOL NO.	PART NO.
R665	16302153
R666	16302203
R667	16302243
R668	16302113
R669	16302472
R670	16302472
R671	16302472
R672	16302511
R673	16302511
R674	16302153

SYMBOL NO.	PART NO.
R675	16302153
R676	16302623
R677	16302223
R678	16302683
R679	16302154
R680	16302822
R681	16302242
R682	16302512
R683	16302473
R684	16302100

SYMBOL NO.	PART NO.
R685	16302100
R686	16302680
R687	16302680
R688	16302330
R689	16302100
R690	16302220
R691	16302151
R692	16302102
R693	16302102
R694	16302220

Model: PRIPORT N850**Date:** 31-Mar-98**No: 4****RESISTOR**

SYMBOL NO.	PART NO.
R695	16302151
R696	16302302
R697	16302220
R698	16302222
R699	16302220
R700	16302220
R701	16302102
R702	16302331
R703	16302331
R704	16302202

SYMBOL NO.	PART NO.
R705	16302202
R706	16302511
R707	16302472
R708	16302222
R711	16302472
R712	16302103
R713	16302122
R714	16302122
R715	16302102
R716	16302620

SYMBOL NO.	PART NO.
R717	16302201
R718	16302271
R719	16302331
R720	16302331
R721	16302271
R722	16302201
R723	16302620
R724	16302333
R725	16302333
R726	16302122


SYMBOL NO.	PART NO.
R727	16302332
R728	16302102
R729	16302101
R730	16302472
R731	16302472
R732	16302472
R733	16302472
R734	16302472

TP

SYMBOL NO.	PART NO.
TP600	11010328
TP601	11010328
TP603	11010328
TP604	11010328
TP605	11010328

VR

SYMBOL NO.	PART NO.
VR600	16018145
VR601	16018146

Model: PRIPORT N850		Date: 15-Jun-99	No: MC224006
Modified Article: Upper and Lower Master Eject Belts		Prepared by: 	
From: Priport Service Planning Section		H. Kokubo	
Classification: <input type="checkbox"/> Parts catalog correction <input type="checkbox"/> Vendor change <input type="checkbox"/> To meet standards <input type="checkbox"/> To facilitate assembly <input checked="" type="checkbox"/> To improve reliability () <input type="checkbox"/> Part standardization <input type="checkbox"/> Other ()			
Model Name:			
Ricoh VT2200/VT2210, Gestetner 5327, RexRotary 1252, nashuatec CP327, ABDICK 6530, SVN 3200DNP			

The upper and lower master eject belts have been changed as follows. The new parts have more tolerance against stretching when used over a long period of time.

Old #	New #	Description	Qty	Int	Page	Index
C219 3605	C219 3611	Upper Belt	4 → 4	X/O	59	28
C219 3606	C219 3612	Lower Belt	4 → 4	X/O	59	29



Model: PRIPORT N850	Date: 15-Jun-99	No: MC224006
----------------------------	------------------------	---------------------

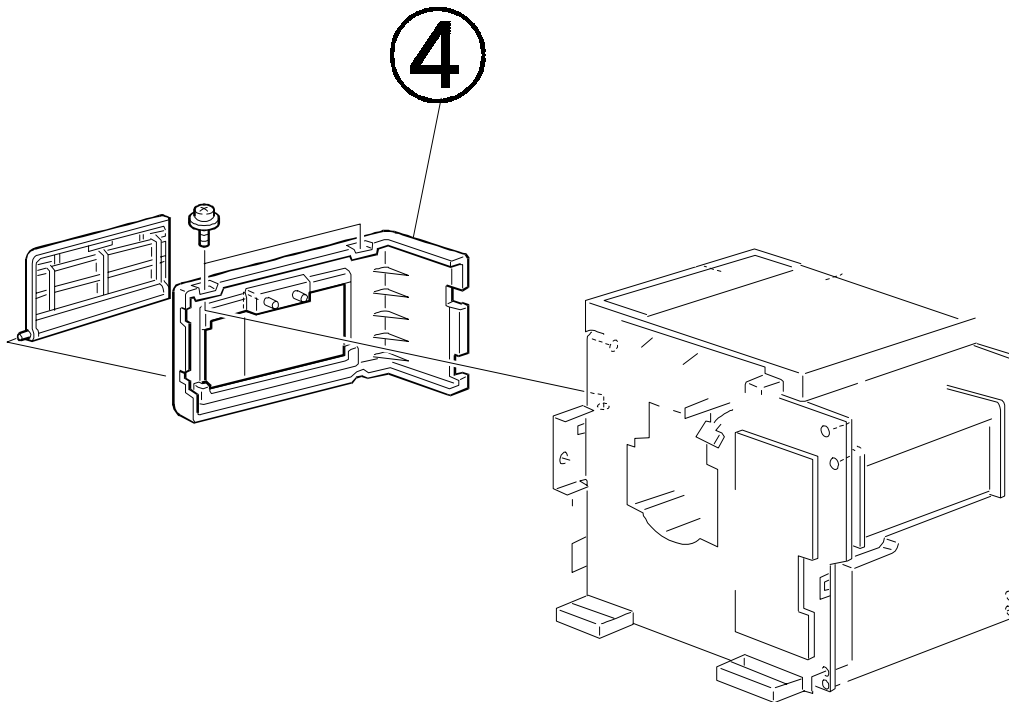
CUT IN SERIAL NUMBERS

Model Name	V/Hz	Destination	Code	Serial Number
Ges 5327, Rex 1252, Nsa CP327	120/60	USA, Canada	C224-12	5957 9040001
Ges 5327, Rex 1252, Nsa CP327	120/60	Taiwan	C224-13	5976 9040001
Savin 3200DNP	120/60	USA, Canada	C224-15	S224 9040001
Ricoh VT2200	120/60	USA, Canada	C224-17	C340 9040001
ABDICK 6530	120/60	USA	C224-18	A224 9040001
Ricoh VT2200	120/60	Taiwan	C224-19	C340 9040001
Ges 5327, Rex 1252, Nsa CP327	230/50	Europe, etc.	C224-22	5956 9040001
Ricoh VT2200	230/50	Europe	C224-27	C340 9040001
Ricoh VT2200	230/50	Asia, etc.	C224-29	C340 9040001
Ges 5327, Rex 1252, Nsa CP327	230/50	USA, Canada	C224-62	5957 9070001
Ges 5327, Rex 1252, Nsa CP327	120/60	Taiwan	C224-63	5976 9070001
Savin 3200DNP	120/60	USA, Canada	C224-65	S345 9070001
Ricoh VT2200	120/60	USA, Canada	C224-67	C345 9070001
ABDICK 6530	120/60	USA	C224-68	A345 9070001
Ricoh VT2200	120/60	Taiwan	C224-69	C345 9070001
Ges 5327, Rex 1252, Nsa CP327	230/50	Europe, etc.	C224-72	5956 9070001
Ricoh VT2200	230/50	China	C224-76	C351 9070001
Ricoh VT2200	230/50	Europe	C224-77	C345 9070001
Ges 5327	230/50	China	C224-78	C350 9070001
Ricoh VT2200	230/50	Asia, etc.	C224-79	C345 9070001
Ges 5327	230/50	China	C224-88	C350 9070001
Ricoh VT2210	230/50	China	C224-96	C345 9070001

Model: PRIPORT N850		Date: 30-Aug-00	No: M-C224-007
Modified Article: Parts Catalog Correction		Prepared by:	
From: Priport Service Planning Section		H. Onodera	
Classification: <input checked="" type="checkbox"/> Parts catalog correction <input type="checkbox"/> Vendor change <input type="checkbox"/> To meet standards <input type="checkbox"/> To facilitate assembly <input type="checkbox"/> To improve reliability () <input type="checkbox"/> Part standardization <input type="checkbox"/> Other ()			
Model Name: Ricoh VT2200/VT2210, Gestetner 5327, RexRotary 1252, nashuatec CP327, ABDICK 6530, Savin 3200DNP			

Please correct your parts catalog as follows:

Incorrect part number	Correct part number	Description	Q'ty	Int	Page	Index	Note
C2032130	C2242461	Master Eject Cover	1	-	3	4	-



Model: PRIPORT N850	Date: 3-Dec-04	No: M-C224-008
Modified Article: Flat cable assmby - A/D conversion	Prepared by:	
From: Priport Service Planning Section	M. Kanomata	
Classification:	<input type="checkbox"/> Parts catalog correction <input type="checkbox"/> Vendor change <input type="checkbox"/> To meet standards <input checked="" type="checkbox"/> To facilitate assembly <input type="checkbox"/> To improve reliability () <input type="checkbox"/> Part standardization <input type="checkbox"/> Other ()	
Model Name:		
Ricoh VT2200/VT2210, Gestetner 5327, RexRotary 1252, nashuatec CP327, ABDICK 6530, Savin 3200DNP		

Old #	New #	Description	Qty	Int	Page	Index
C2158102	C2248115	Flat cable assembly – A/D conversion	1	-	49	15

Change: A ferrite core was added to the cable.

Reason: To make it easier to replace the cable.